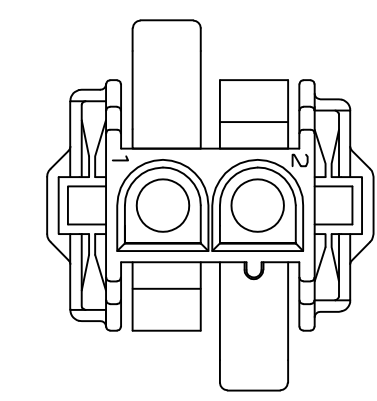
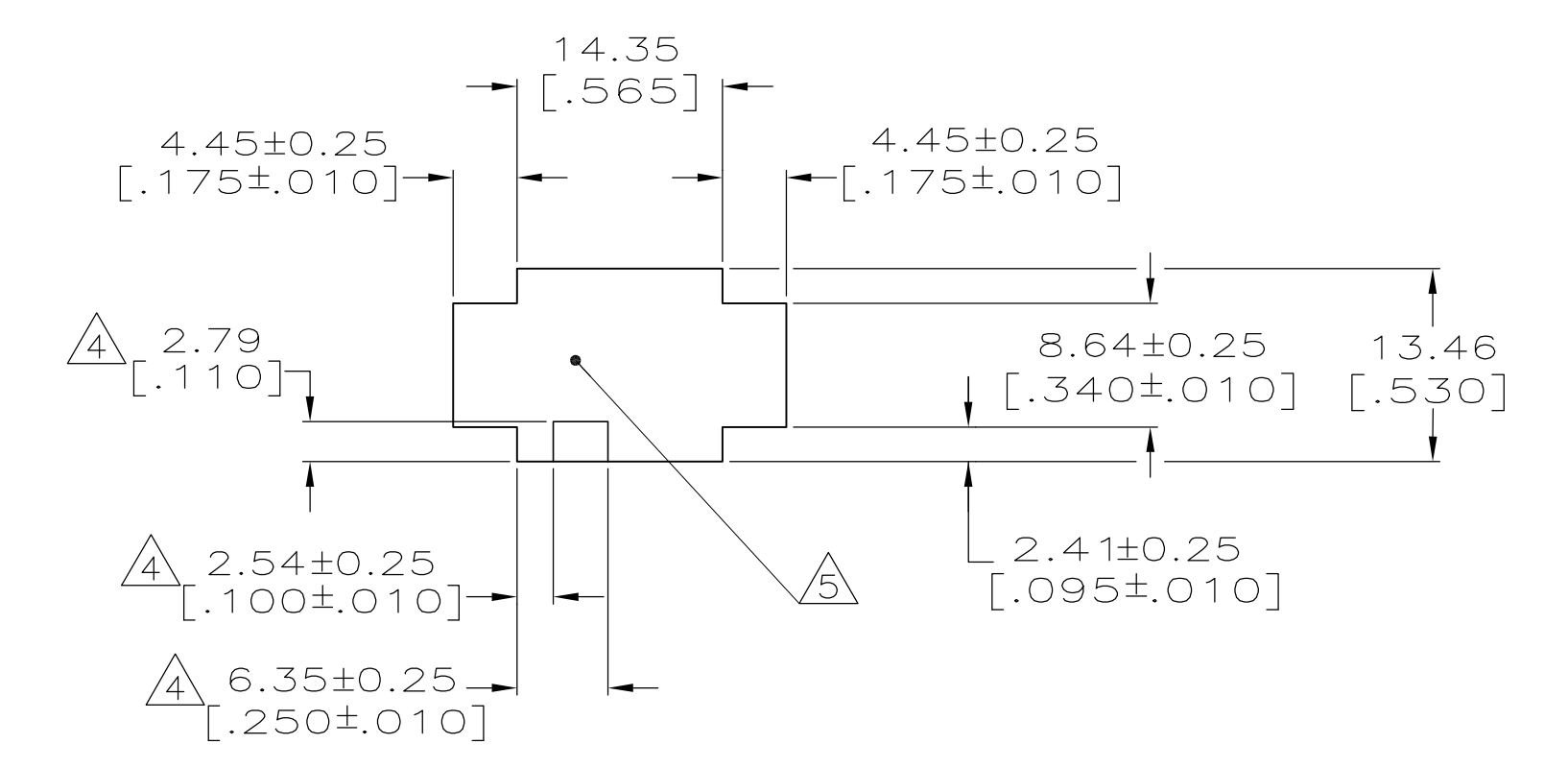
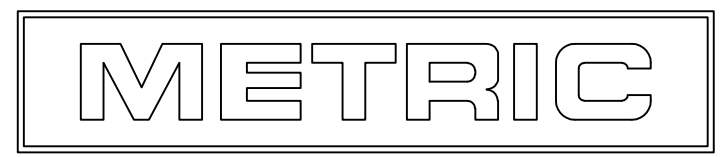


- BULK PACKAGED, UNASSEMBLED.
- RECOMMENDED PANEL THICKNESS 0.76-2.29 [.030-.090].
- PANEL MUST BE PUNCHED SO THAT THE HOUSING ENTERS THE PANEL IN THE SAME DIRECTION AS THE PUNCH.
- OPTIONAL FOR KEYING HOUSING IN PANEL.
- CIRCUIT NO. 1 LOCATON.
- APPROVAL AGENCY LOGO LOCATED APPROXIMATELY AS SHOWN.
- AMP LOGO LOCATED THIS SURFACE.
- CIRCUIT NUMBER ONE IDENTIFICATION BUTTON AND CIRCUIT IDENTIFICATION NUMBERS ARE EACH LOCATED ADJACENT TO THE APPROPRIATE CIRCUIT CAVITIES.
- DIMENSION INDICATED IS AS MOLDED. ADDITIONAL GROWTH DUE TO SUBSEQUENT MOISTURE ABSORPTION MAY OCCUR.



VIEW A-A  
SCALE 2:1



770024-1  
PART NUMBER  
PART NO

THIS DRAWING IS A CONTROLLED DOCUMENT.		DWN K. SALMON 1-22-92	TE Connectivity	
		CHK R. SWING 1-22-92		
DIMENSIONS:	TOLERANCES UNLESS OTHERWISE SPECIFIED:	APVD M. TRULL 1-22-92	NAME	
INCHES	0 PLC ± -	CAP HOUSING KIT, 2 CIRCUIT, IN-LINE, UNIVERSAL MATE-N-LOK™ II		
	1 PLC ± -	APPLICATION SPEC		
	2 PLC ± -	SIZE	CAGE CODE	DRAWING NO
	3 PLC ± 0.13 (.005)	A1	00779	770024
	4 PLC ± -	WEIGHT	-	
	ANGLES ± -	CUSTOMER DRAWING		
MATERIAL NYLON,UL94V-0,	FINISH -	SCALE 5:1 SHEET 1 OF 1 REV F1		